



- 额定电流最高达 1600A  
Rated currents up to 1600A
- 为变频器及特别干扰严重场合设计  
Design for VVVF and high noise environment
- 卓越的滤波效果  
Excellent performance for conducted interference
- 直接匹配各种品牌变频器、逆变器、工业驱动系统  
Applicant for variable brands of Frequency inverters, motor drivers and servo
- 可选多种接线方式：螺丝，端子排，铜排  
Different output connections optional
- 安规认证：**CE**  
Approval: **CE**

#### 应用 Application

- 专门针对变频/伺服器及变频设备工作时输入端对电网及 PLC、DSC 系统等数字设备产生的干扰而设计。降低 EMC 干扰，用于主电源侧，切断、隔离电网与变频器之间的干扰通道  
Specified design for VVVF/Servo and Frequency Converters. Design for EMC noise suppression and connect on the power input side to quarantine the interference way between power network and VVVF.
- 解决电网中谐波、浪涌对变频器产生的过压、过流、过载、发热、误动作、拒动等问题  
Suppress the harmonic or surge from power network, to resolve problem of Inverter like over-voltage, over-current, over-load, over-heat, false operation or no operation.
- 可直接与国内外不同品牌的变频器、伺服配套使用  
Directly used on variance brands of Frequency Converters or Servo

#### 技术参数 Technical Data

|                                |  |
|--------------------------------|--|
| 额定电压 Rated Voltage             | 380/440 VAC  |
| 工作频率 Operation Frequency       | 50/60Hz  |
| 额定电流 Rated Current             | 5-1200A  |
| 耐压测试<br>Hi-pot Test            | 2250VDC, 2 sec (线对线 Line to Line)<br>2700VDC 2sec (线对地 Line to Ground)           |
| 气候类别 Climate Category          | 25/85/21 (-25°C to +85°C)  |
| 过载 Overload Capability         | 4x rated current at switch on,<br>1.5x rated current for 1minutes, once per hour |
| 设计参考标准 Design corresponding to | UL 1283, CSA 22.2 No. 8 1986, IEC/EN 60939                                       |

#### 电路原理图 Electrical Schematic

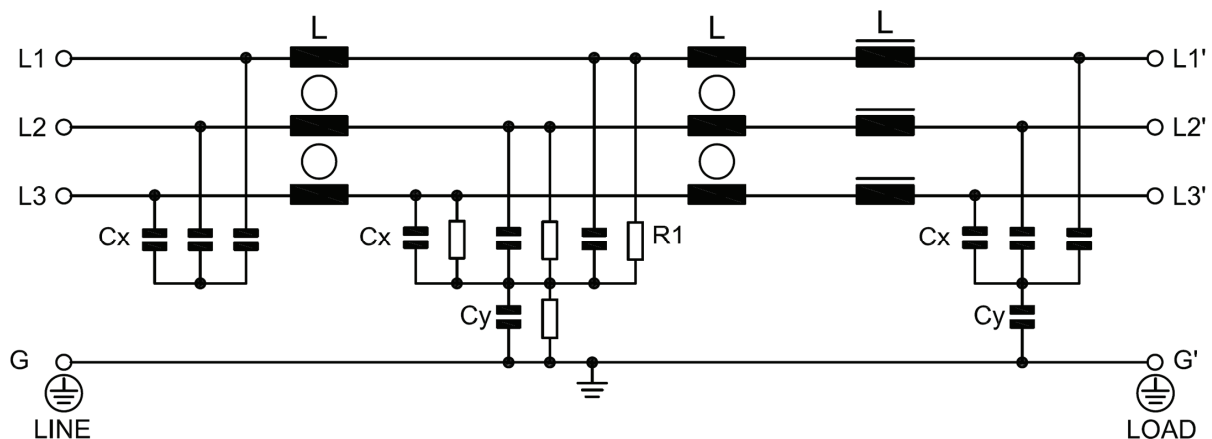


Fig 1

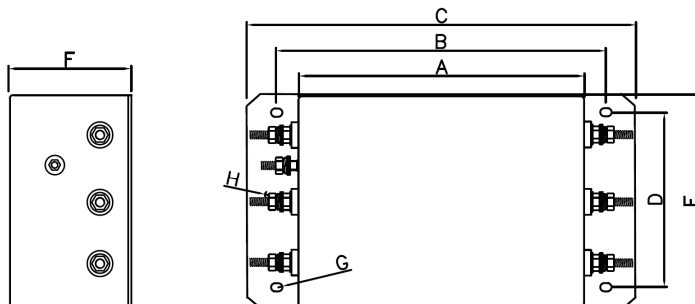
**选型表 Type Selection Table**

| 型号<br>Model    | 额定电流(A)<br>Rated Current | 泄漏电流(≤mA)<br>Leakage Current | 变频/伺服器容量 (KW)<br>VVVF/Servo Capacity | 外形尺寸<br>Dim. Fig. | 出线端子方式<br>Output Connection  |   |   | 重量 (公斤)<br>Weight (kg) |
|----------------|--------------------------|------------------------------|--------------------------------------|-------------------|--|---|---|------------------------|
|                |                          |                              |                                      |                   |  |  |  |                        |
| DF600-5A-01    | 5                        | 10                           | 0.75/1.5                             | N2                | M4   | M4  | -   | 1.0                    |
| DF600-8A-01    | 8                        | 10                           | 2.2/3.7                              | N2                | M4   | M4  | -   | 1.1                    |
| DF600-16A-01   | 16                       | 20                           | 5.5/7.5                              | N5                | M6   | M4  | -   | 1.4                    |
| DF600-30A-01   | 30                       | 20                           | 11/14                                | N5                | M6   | M4  | -   | 1.6                    |
| DF600-45A-01   | 45                       | 40                           | 18.5/22                              | N10               | M6   | M6  | -   | 2.5                    |
| DF600-60A-01   | 60                       | 40                           | 30                                   | N10               | M6   | M6  | -   | 3.0                    |
| DF600-75A-01   | 75                       | 50                           | 37                                   | N12               | M8   | M6  | -   | 6.5                    |
| DF600-100A-01  | 100                      | 50                           | 45                                   | N12               | M8   | M6  | -   | 7.0                    |
| DF600-120A-01  | 120                      | 60                           | 55                                   | N12               | M8   | M6  | -   | 7.0                    |
| DF600-150A-01  | 150                      | 60                           | 75                                   | N12               | M10  | M6  | -   | 10                     |
| DF600-200A-01  | 200                      | 60                           | 90                                   | N12               | M10  | M8  | -   | 10                     |
| DF600-250A-01  | 250                      | 60                           | 110                                  | N15               | M10  | M8  | -   | 10                     |
| DF600-300A-01  | 300                      | 80                           | 125/132/150                          | N30               | -  | -   | 5X25  | 14                     |
| DF600-420A-01  | 420                      | 80                           | 160/210/220                          | N30               | -  | -   | 5X25  | 14                     |
| DF600-500A-01  | 500                      | 80                           | 250/260                              | N60               | -  | -   | 6X30  | 16                     |
| DF600-600A-01  | 600                      | 80                           | 280/315                              | N60               | -  | -   | 6X30  | 16                     |
| DF600-800A-01  | 800                      | 80                           | 400                                  | N80               | -  | -   | 8X40  | 20                     |
| DF600-1000A-01 | 1000                     | 80                           | 500                                  | N90               | -  | -   | 10X50   | 22                     |
| DF600-1100A-01 | 1100                     | 80                           | 550                                  | N90               | -  | -   | 10X50   | 22                     |
| DF600-1200A-01 | 1200                     | 90                           | 600                                  | N90               | -  | -   | 10X50   | 23                     |
| DF600-1600A-01 | 1600                     | 90                           | 700                                  | N100              | -  | -   | 10X60   | 23                     |

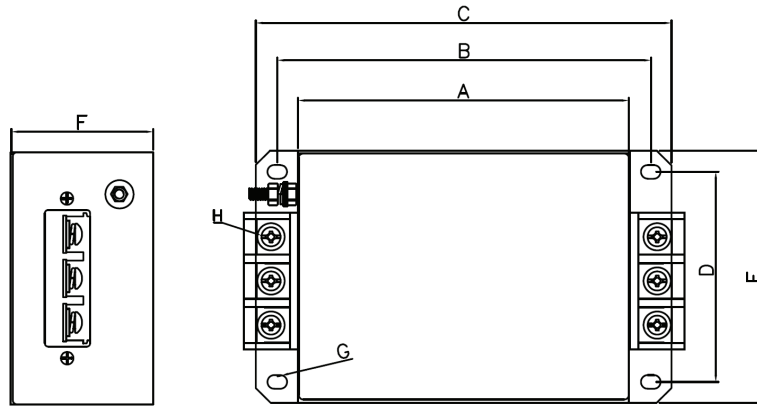
**Remark: Model name follow by: Blank represents Screw/Copper wire connection, T represents Terminal Board connection**

标准型号为螺丝和铜排接线方式，若选端子排接线方式在型号后边加“T”，表中“-”表示无此出线方式

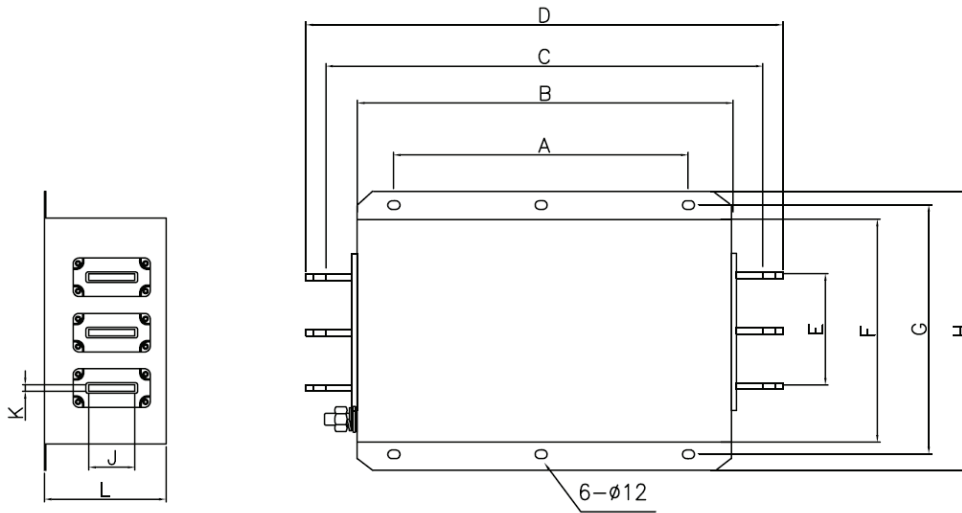
**外形尺寸 Outline Dimensions(mm)**



|     | A   | B   | C   | D     | E   | F   | G      | H   |
|-----|-----|-----|-----|-------|-----|-----|--------|-----|
| N2  | 110 | 125 | 140 | 70.0  | 93  | 56  | 5,3*7  | M4  |
| N5  | 150 | 168 | 186 | 85.0  | 105 | 60  | 6,4*9  | M6  |
| N10 | 200 | 220 | 240 | 100.0 | 120 | 80  | 6,4*9  | M6  |
| N12 | 260 | 286 | 314 | 140.0 | 170 | 107 | 8,8*14 | M8  |
| N15 | 300 | 326 | 354 | 160.0 | 185 | 112 | 8,8*14 | M10 |



|     | A   | B   | C   | D     | E   | F   | G      | H  |
|-----|-----|-----|-----|-------|-----|-----|--------|----|
| N2  | 110 | 125 | 140 | 70.0  | 93  | 56  | 5,3*7  | M4 |
| N5  | 150 | 168 | 186 | 85.0  | 105 | 60  | 6,4*9  | M4 |
| N10 | 200 | 220 | 240 | 100.0 | 120 | 80  | 6,4*9  | M6 |
| N12 | 300 | 326 | 354 | 160.0 | 185 | 112 | 8,8*14 | M6 |
| N15 | 300 | 326 | 354 | 160.0 | 185 | 112 | 8,8*14 | M8 |



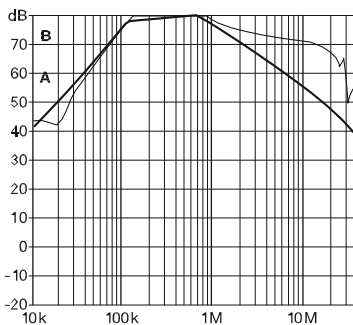
|      | A   | B   | C   | D   | E   | F   | G   | H   | K   | J  | L   |
|------|-----|-----|-----|-----|-----|-----|-----|-----|-----|----|-----|
| N30  | 240 | 300 | 360 | 394 | 120 | 210 | 235 | 260 | 5.0 | 25 | 115 |
| N60  | 290 | 350 | 410 | 444 | 120 | 210 | 230 | 256 | 6.0 | 30 | 162 |
| N80  | 290 | 350 | 446 | 475 | 120 | 210 | 230 | 256 | 8.0 | 40 | 162 |
| N90  | 290 | 350 | 456 | 485 | 120 | 210 | 230 | 256 | 10  | 50 | 162 |
| N100 | 290 | 350 | 456 | 485 | 120 | 210 | 230 | 256 | 10  | 60 | 162 |

### 插入损耗 Insertion Loss in dB

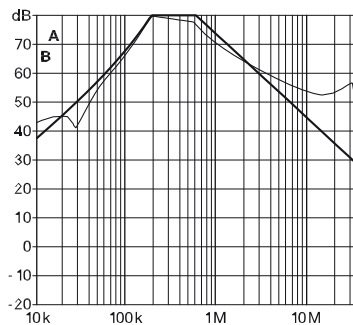
(50Ω/50Ω 环境下插入损耗 Insertion Loss in dB measured in a 50Ω/50Ω system, as IEC/CISPR No. 17 )

A=Differential mode (差模) B=Common Mode(共模)

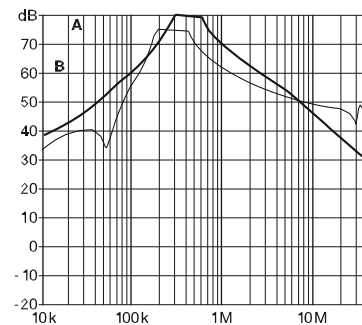
5 and 30A types



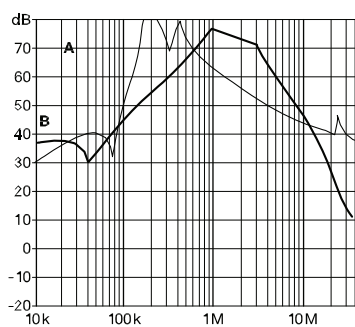
45 to 100A types



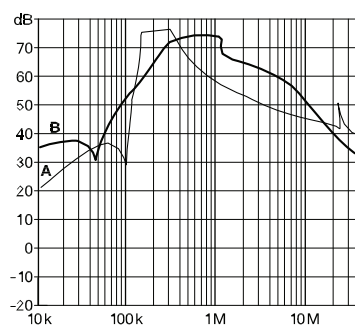
120 to 200A type



300 and 600A types



800 to 1600A types



备注：以上规格为公司标准产品，可根据客户产品定制设计产品性能和尺寸外观。

Remark: Customized products are available according to special performance or dimensions requirements

更多产品请登陆官方网站: <http://www.dephir.com>

For more products please go to official website: <http://www.dephir.com>